

Ice-O-Matic®

ICEU220/225/226 - Self Contained Cube Ice Maker



ICEU220

Features

- Space saving 24" (610 mm) wide undercounter design.
- Produces up to 251 lbs (114 kg) of ice per day.
- *Harvest Assist* provides consistent ice production for the life of the ice maker while reducing energy consumption and increasing capacity.
- *Pure Ice*® exclusively by Ice-O-Matic. Built-in antimicrobial protection for the life of the ice maker inhibits bacteria growth on ice maker surfaces. Ice-O-Matic's optional water filtration system provides protection against unpleasant tastes, odors and scale formation.
- Durable, electroless nickel plating on all evaporator plates ensures reliability.
- *Longest warranty in the industry.* Purchase an Ice-O-Matic water filter with your cube ice maker, replace the filter every six months, and the evaporator warranty is extended to 7 years parts and labor (*available in the U.S. and Canada only*).
- Constructed from corrosion-resistant stainless steel and fingerprint-proof plastic.

Options & Accessories

Ice Machine Model	Water Filters		
	Manifold		Inline
	System	Replacement	System
ICEU220	IFQ1	IOMQ (1)	IF14C / IF18C
ICEU225	IFQ1	IOMQ (1)	IF14C / IF18C
ICEU226	IFQ1	IOMQ (1)	IF14C / IF18C

Ice Maker Warranty

Every Ice-O-Matic ice maker is backed by a warranty that provides both parts and labor coverage.

- Three years **Parts and Labor**.
- Five years **Parts** coverage on the evaporator and compressor.
- Seven years **Parts and Labor** on the evaporator when you purchase an Ice-O-Matic water filter with your cube ice maker and replace the filter every six months (*available in the U.S. and Canada only*).

Ice Form



Full Cube	
W x D x H (in)	7/8 x 7/8 x 7/8
W x D x H (mm)	22 x 22 x 22
Half Cube	
W x D x H (in)	7/8 x 7/8 x 3/8
W x D x H (mm)	22 x 22 x 10

Space-Saving Solutions

- Front air discharge design for compact spaces.
- Low profile top saves counter space.
- Stores up to 100 lbs (45 kg) of ice.
- Easy front access to ice.
- Available with an air-cooled or water-cooled condenser.

ICEU220/225/226 Self Contained Cube Ice Maker

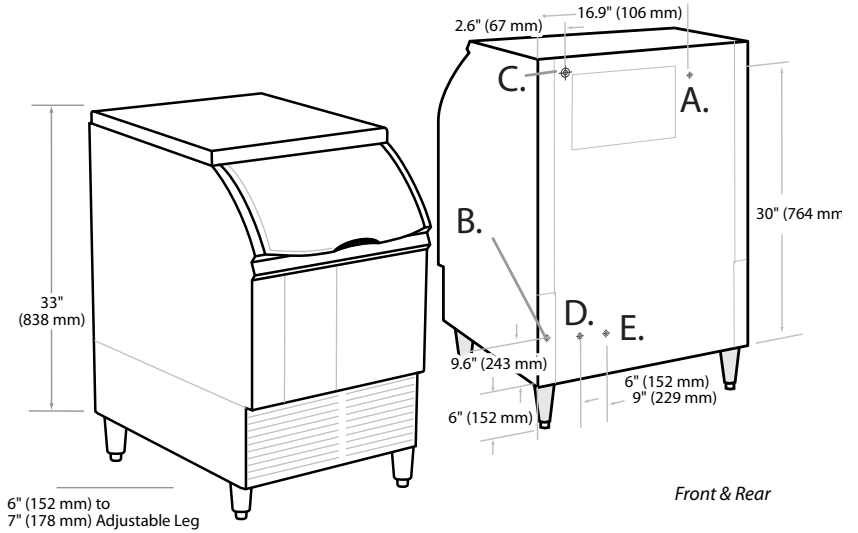
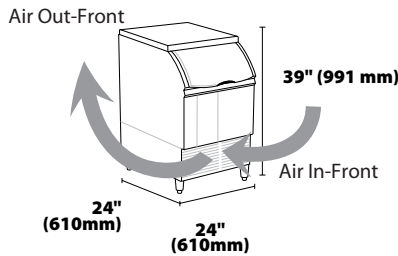


Ice-O-Matic®

ICEU220/225/226 Self Contained Cube Ice Maker

Air and Water Cooled

- A. Ice maker water in, 3/8" FPT.
- B. Bin and ice maker drain, 3/4" FPT.
- C. Hole for electrical connections, 7/8".
(Cord on 115)
- D. Condenser water in, 3/8" FPT
(water cooled units only)
- E. Condenser water out, 1/2" FPT
(water cooled units only).



Operating Requirements

	Minimum	Maximum	
		60 Hz	50Hz
Ambient Temp. Range Air	50°F (10°C)	100°F (38°C)	110°F (43°C)
Water Temp.	40°F (4.4°C)	100°F (38°C)	110°F (43°C)
Water Pressure	20 PSIG (1.4 BAR)	60 PSIG (4.1 BAR)	

Dimensions

All Models	
W x D x H (inches)	24 x 24 x 39
W x D x H (mm)	610 x 610 x 991

Specifications

Model Number	Cond. Unit	Ice Production per 24hrs		Water Usage gallons per 100 lbs of Ice 90°F air/70°F water		kWH Used per 100 lbs of ice @ 90°F air/70°F water	Voltage Characteristics	Min. Circuit Ampacity	Fuse Size	Approx. BTUs per hour
		70°F air/50°F water lbs (kg)	90°F air/70°F water lbs (kg)	Potable	Condenser					
ICEU220A ★	Air	238 (108)	175 (80)	30.3	-	8.8	115/60/1	11.9	15	4,609
ICEU220W	Water	251 (114)	193 (88)	36.9	175	6.6	115/60/1	8.9	15	4,288
ICEU225A	Air	211 (96)	143 (65)	32.7	-	8.8	230/50/1	4.9	16	3,774
ICEU225W	Water	210 (95)	174 (79)	36.6	156	6.3	230/50/1	4.1	16	3,780
ICEU226A	Air	241 (110)	168 (76)	30.6	-	8.5	208-230/60/1	6.0	15	4,321
ICEU226W	Water	232 (105)	192 (87)	36.3	167	6.6	208-230/60/1	4.4	15	4,263

NOTES:

Number of Wires: 3 (including ground)
 Approx. Shipping Weight lbs (kg): ICEU220A 160 (73) • ICEU220W 160 (73) • ICEU225A 160 (73) • ICEU225W 160 (73) • ICEU226A 160 (73) • ICEU226W 160 (73)
 Refrigerant Type: R404A

★ ENERGY STAR qualified machine.

Please see our website www.iceomatic.com for the latest list of ENERGY STAR qualified machines and available rebates